

COILOVER KIT FOR PORSCHE 997 GT3/RS/GT2

FRONT: 38POIC-L1007

Set-up Details:

Recommended Spring*

Spring Diameter
ID 60mm

Spring Rate
50kg (280 lbs/in.)

Spring Length
203mm (8.0")

Recommended Setup

Ride Height (See Figure for reference points)
64mm (2.52")

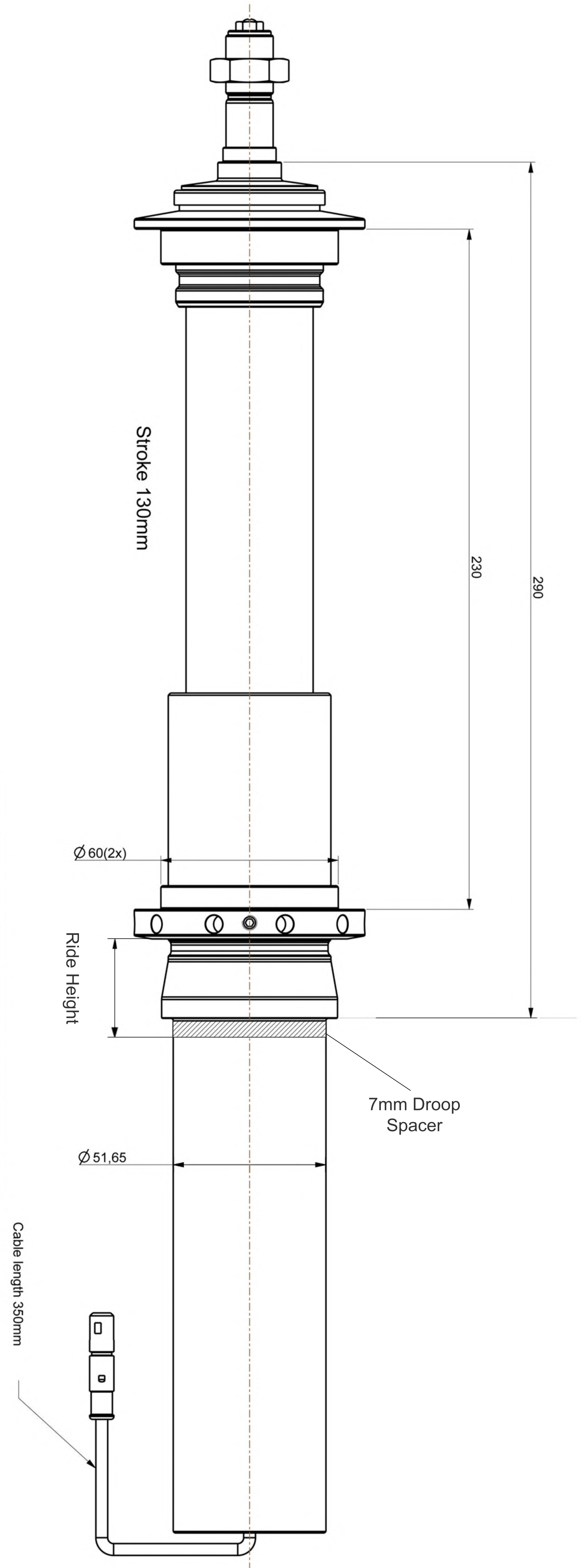
Additional Droop Spacers**
7mm

**All recommended set-up and spring recommendations based on stock specifications intended for mainly street use. For track-dedicated vehicles or those with other aftermarket modifications, please contact customer service for custom setup.*

***Adjust droop as necessary*

Parts List:

38POIC-L1007	Front Damper	1
Z60-203-050*	Spring	1



COILOVER KIT FOR PORSCHE 997 GT3/RS/GT2

REAR: 46PO30-L3008

Set-up Details:

Recommended Spring*

Spring Diameter

ID 60mm

Spring Rate (Street)

100kg (560 lbs/in)

Spring Length

9" (228mm)

Helper Spring Rate

30kg (168 lbs/in.)

Recommended Setup

Ride Height (measured from seat to upright. See Figure.)

140mm (5.51 in.)

**All recommended set-up and spring recommendations based on stock specifications. For vehicles with other aftermarket modifications, please contact customer service for technical*

Parts List:

46PO30-I3008	Rear Damper	1
Z60-228-100*	Spring	1
H65-060-030	Spring (Tender)	1

