

COILOVER KIT FOR VLF FORCE 1

FRONT: 46DO00-L1001

Set-up Details:

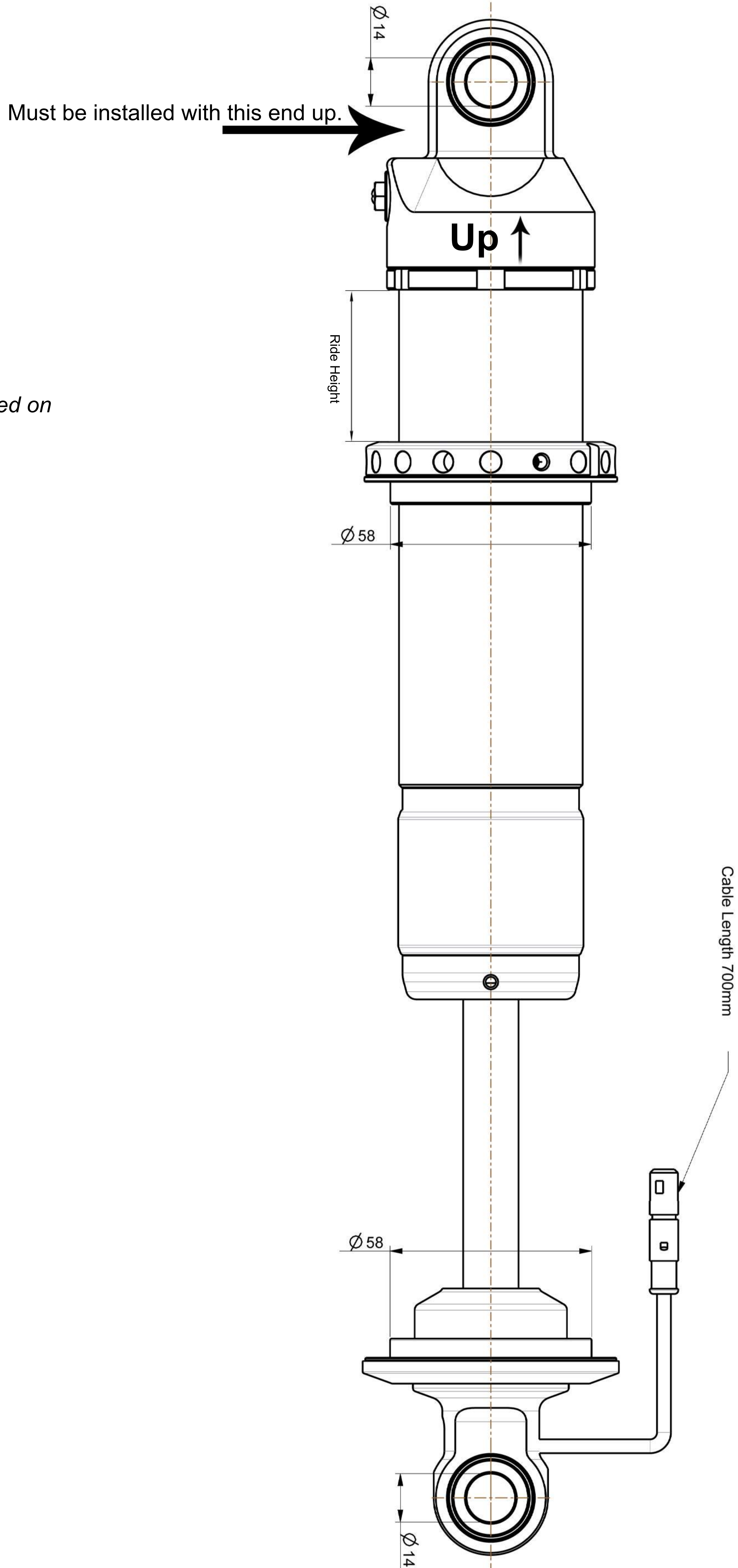
Recommended Spring*

Spring Diameter
ID 65mm
Spring Rate
050kg (280 lbs/in.)
Spring Length
10" (254mm)

Recommended Setup

Ride Height (measured from seat to upright. See Figure.)
1.620in. (41.15mm)

**All recommended set-up and spring recommendations based on stock specifications. For vehicles with other aftermarket modifications, please contact customer service for technical support.*



COILOVER KIT FOR VLF FORCE 1

REAR: 46D040-L3002

Set-up Details:

Recommended Spring*

Spring Diameter
ID 65mm
Spring Rate (Street)
90kg (504 lbs/in.)
Spring Length
10" (254mm)

Recommended Setup

Ride Height (measured from seat to upright. See Figure.)
1.80" in. (45.7mm)

**All recommended set-up and spring recommendations based on stock specifications. For vehicles with other aftermarket modifications, please contact customer service for technical support.*

Parts List:

46D040-L3002	Rear Damper	1
46000043	Protection Sleeve	1
46000243	Spring Retainer (Screw)	1
46000107	Spacer Spring Retainer (Screw)	1
46000429	Spring Retainer (cup low)	1
46000108	Spacer Spring Retainer Cup	1
46000531	Adapter 14x60 LF	2
Z65-254-090*	Spring	1

